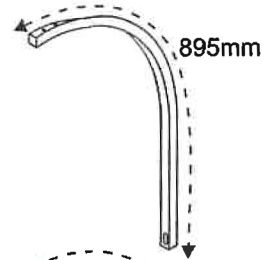
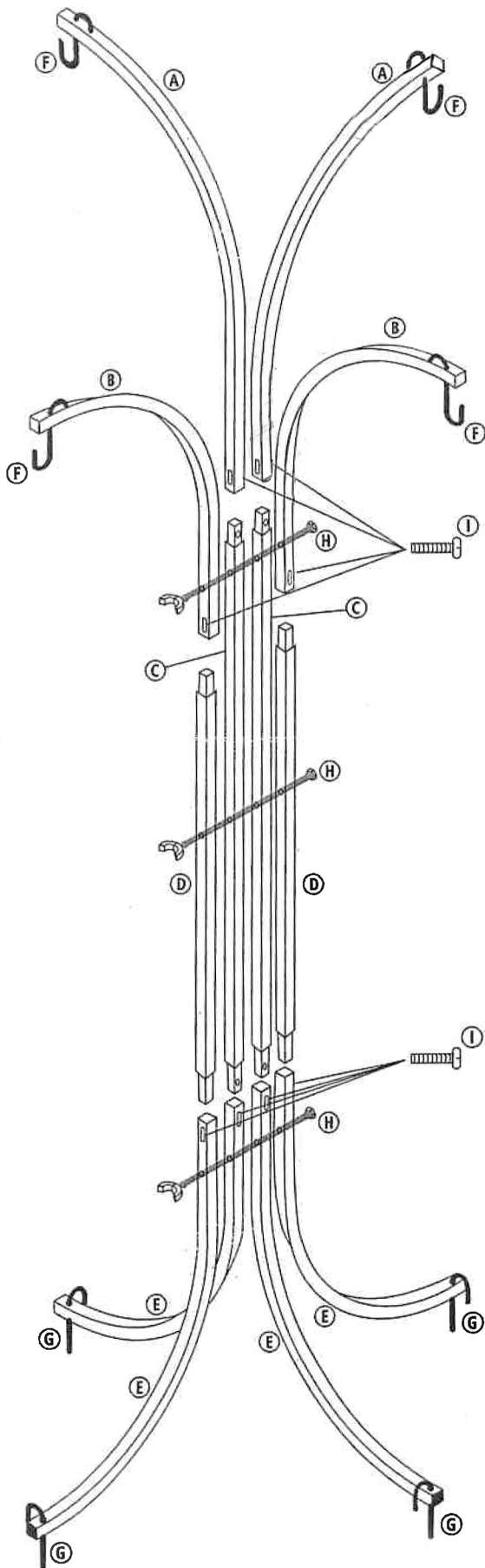
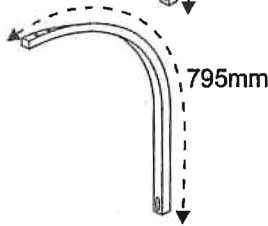


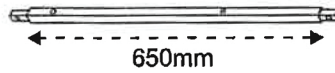
ASSEMBLY INSTRUCTIONS FOR HANGING BASKET TREE CASCADE



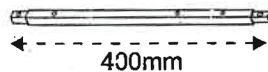
Part **A** Top Pipe x 2 Pcs



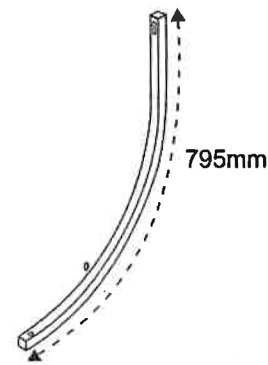
Part **B** Top Pipe x 2 Pcs



Part **C** Middle Pipe x 2 Pcs



Part **D** Middle Pipe x 2 Pcs



Part **E** Bottom Pipe x 4 Pcs



Part **F** 'S' Hook x 4 Pcs



Part **G** Ground Peg x 4 Pcs



Part **H** Screw with Wing Nut x 3 Pcs



Part **I** Screw x 8 Pcs

Note : Measure your pipes alongside dotted lines to identify correct part